

# 3 side seal pouches

Printed pouches | flexible packaging manufacturer



## I. About 3 side seal pouches

3 side seal pouches or flat pouches are usually sealed on 3 sides edges and left top or bottom open for products filling purpose.

Most noteworthy, such printed pouches are very economic choices among all the custom packaging bags.

Besides, they are widely used in below industries:

- Capsules, pills. powder or cream
- Tea or coffee samples
- Spices and condiments
- Facial masks
- Whey protein powder
- Snack & candy
- Cannabis
- Pre-rolled
- Fishing bait

In addition, for different applications, we have different films structures to cater. Hence a longer shelf life can be achieved.

### 1.1 MAIN MATERIALS

- MOPP
- OPP
- PET
- VMPET
- LDPE
- ALUMINUM
- NYLON



## 1.2 DESIGN ACCESSORIES

- Round corners
- Zip lock
- Hang hole
- Tear notches
- Window
- Childproof locking
- Spout
- Valve

**3 Side Seal  
Pouch**  
waterproof



**3 Side Seal  
Pouch**  
HEAT SEALING OPEN

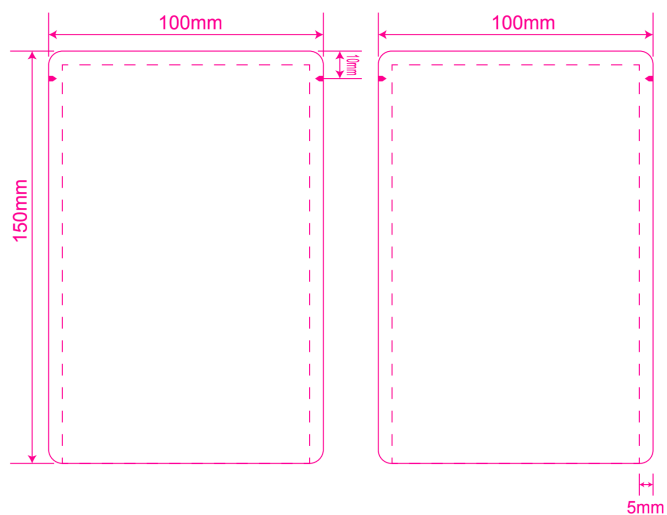


**Resealable  
Zip lock**

**Hang Hole**

## 1.3 SIZE REFERENCE

Width x Height	Flour Powder Weight
6 x 8 cm	5 g
7 x 10 cm	10 g
8 x 11 cm	10 g
9 x 14 cm	20 g
10 x 15cm	70 g
11 x 18.5 cm	130 g
13 x 18.5 cm	160 g
13 x 21 cm	200 g
15 x 21 cm	300 g
15 x 24 cm	370 g
17 x 24 cm	440 g
18 x 30 cm	760 g
20 x 30 cm	950 g



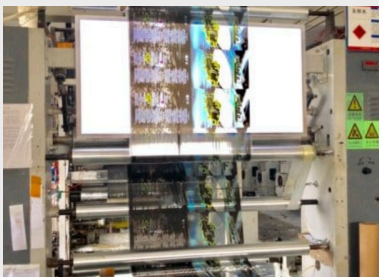
## 2.1 Digital printing



Digital printing allows MOQ to be 200 to 500 bags as a start. Very widely applied while trial orders or startups needed.

No color limits, no plates needed, swift delivery time in 10 days.

## 2.2 Gravure printing



Gravure plate printing normally requires a MOQ of 5000 to 10000 bags. Especially preferred when clients want to settle down a long term design and save long term packaging cost significantly.

One plate for one color per design.

Including making plates, normal lead time is 15-25 days.

## 2. Printed pouches manufacturer

As a printed pouches manufacturer, our production scope includes 3 side seal pouches. And we have been supplying the custom packaging bags for years

In our facility, we are equipped with:

- 2 gravure printing lines and 1 digital printing line
- 2 laminating lines
- 3 bagging lines

With both plate printing and digital printing, we are able to offer custom printed pouches to both big and small needs.

Unless you have special requests, we always use FDA approved food grade BPA free plastic films as raw materials. What's more, from raw material quality assurance to finished bags integrity testing, we are committed to offering you the best 3 side seal pouches at best price.

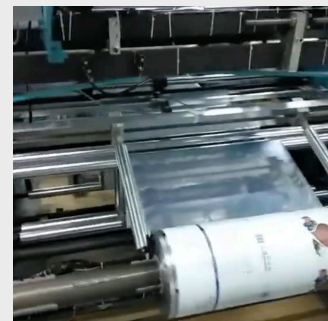
You are welcome to contact us right now, we will get back to you in 12 hours.

## 2.3 Films laminating



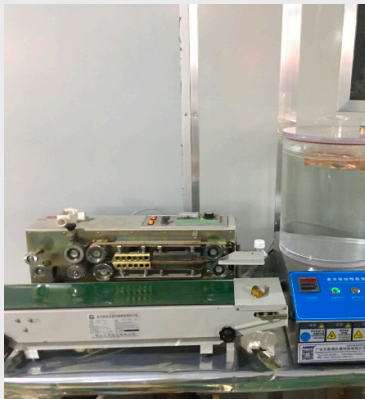
Printed films laminated with barrier lining and heat sealing films to form multi functional rolls of films.

## 2.4 Roll bagging



Resealable zip lock added and bagged into finished printed pouches

## 2.5 Integrity testing



## 2.6 Packing and delivery



## Contact us

[gozeniths.com](http://gozeniths.com)

[info@gozeniths.com](mailto:info@gozeniths.com)

+86 27 8581 7670

+86 18571566509

NO.25, XINBU ROAD, TONG  
LE, SHENZHEN CITY, CHINA

ZIP CODE #518000



... Also wanted to say thank you again for the bags! They are amazing!!



... Great job guys! Really thank you for your input!



... Great job guys! Really thank you for your input!

## 3. Find out more [Gozeniths.com](http://Gozeniths.com)



printed stand up pouch



three side sealed bag



block bottom bag



pillow printed pouches



side gusset bag



more options